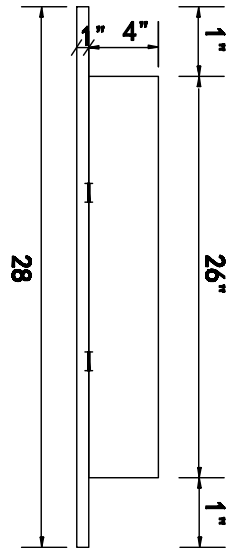
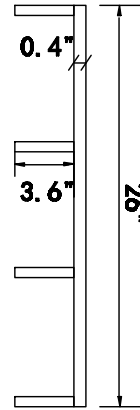


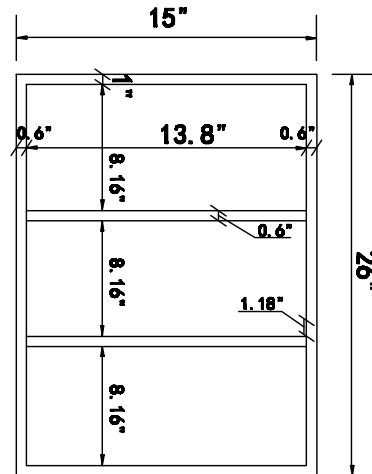
Front View



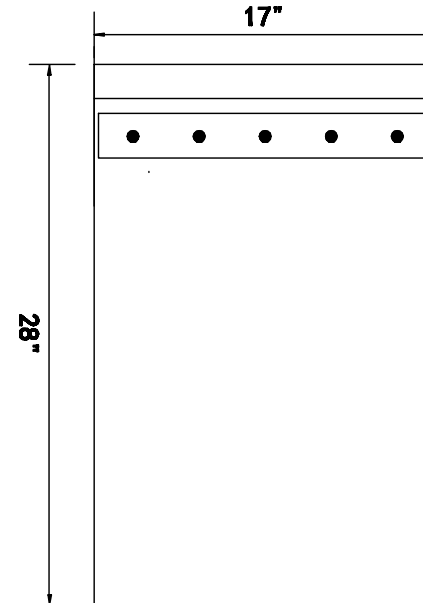
Side View



Inside Side View



Inside Front View



Back View

DWG. NO.

MODEL NO:

MR571728BLK

SPEC NO:

QUANTITY:

DATE:

CHECKED BY:

FOR PROPOSAL ONLY ALL DIMENSIONS TO BE VERIFIED

PROJECT:

COLOR:

FINISH:

REVISIONS

- ①
- ②
- ③
- ④
- ⑤
- ⑥

ELEGANT
FURNITURE & LIGHTING™

500-550 E. Erie Avenue

Philadelphia PA 19134

1-888-388-3390

| Model # | Product Type | Style | Product Width (in) | Product Depth (in) | Product Height (in) | Mirror Width | Mirror Depth |
|-----------------|----------------|----------------|--------------------|--------------------|-----------------------------------|--------------------------|------------------|
| MR571728 BLK | Mirror | Contemporary | 17 | 5 | 28 | 16.20" | 0.16" |
| Mirror Height | Frame shape | Orientation | Frame finish | Frame material | Mounting / attachme nt type | Number of brackets | Beveled glass |
| 27.2" | Rectangle | Vertical | Black | MDF | Metal Inset hanger | 4 | No |
| Frameless | Package LENGTH | Packaged WIDTH | Packaged HEIGHT | Package Weight | Product weight | Shipment Type | |
| No | 31.14 | 7.95 | 19.96 | 23.54 | 21.34 | Small Parcel | |

DWG. NO.

MODEL NO:
MR571728BLK

SPEC NO:

QUANTITY:

DATE:

CHECKED BY:

FOR PROPOSAL ONLY ALL
DIMENSIONS TO BE VERIFIED

PROJECT:

COLOR:

FINISH:

REVISIONS



 **ELEGANT**
FURNITURE & LIGHTING™

500-550 E. Erie Avenue
Philadelphia PA 19134

1-888-388-3390